

### Features

- Rim holes provide a uniform cascade of water to keep sides of sink clean.
- Siphon jet provides a powerful surge of water to effectively eliminate maximum debris or waste.
- 2-1/2" trapway larger than most residential toilet trapways.
- Large basin allows placement of more volume.
- 1½" (38 mm) top spud.

### Material

- Crafted of Grade A vitreous china to provide a durable, nonporous product with a glossy finish.

### Recommended Products/Accessories

- K-8935 Stainless Steel Rim Guard
- 21401 Closet Bolt Assembly
- K-8801 Sink drain and strainer with tailpiece
- K-8799 Sink drain and strainer basket
- K-23726 Drain treatment
- K-23725 Cast iron cleaner

### Optional Products/Accessories

- K-11352 Disposal Flange with Stopper

### Included Components

Additional Components:

- 1.5" spud
- Bolt caps (pair)



### Codes/Standards

ASME A112.19.2/CSA B45.1

### KOHLER® One-Year Limited Warranty

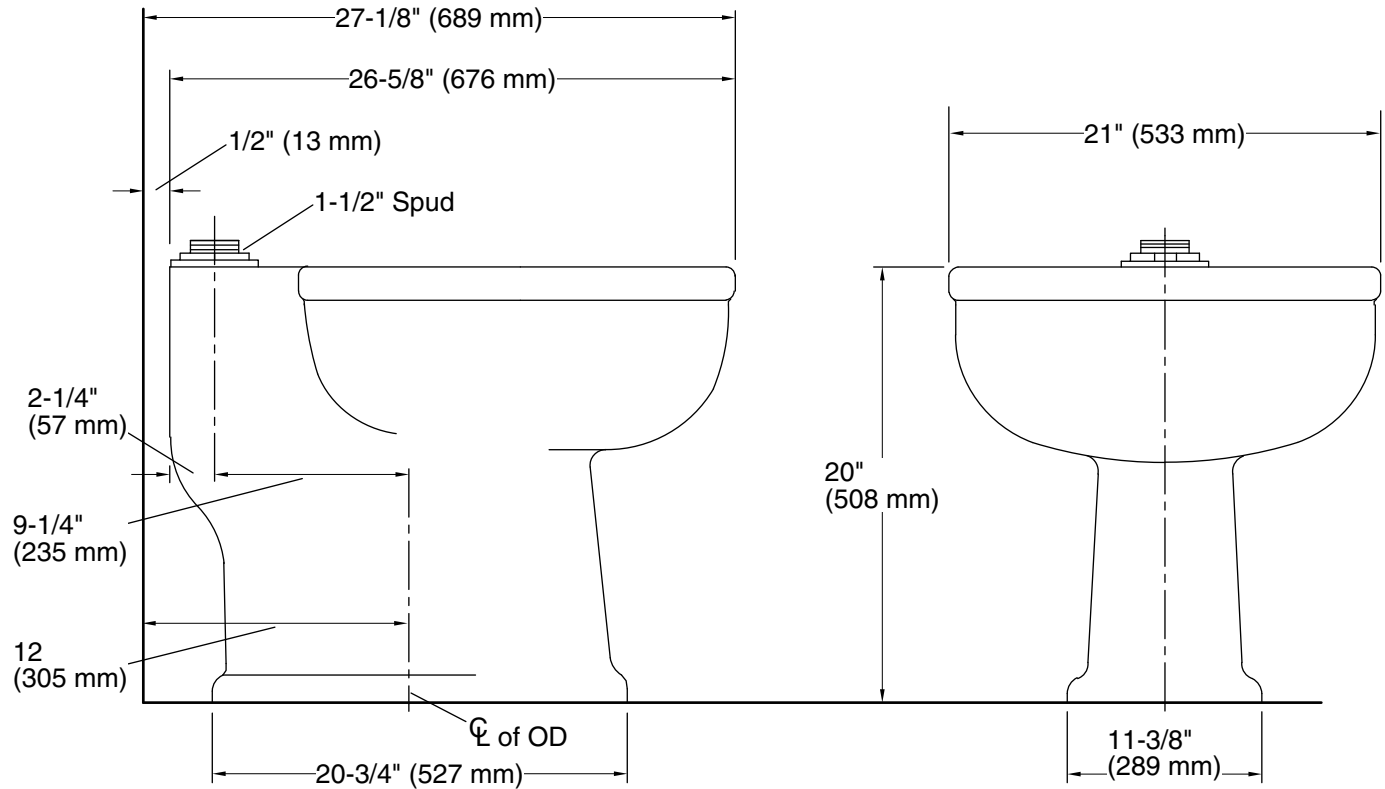
See website for detailed warranty information.

### Available Colors/Finishes

*Color tiles intended for reference only.*

Color	Code	Description
-------	------	-------------

	0	White
---	---	-------



## Technical Information

All product dimensions are nominal.

Bowl configuration:	Single
Installation:	Freestanding
Bowl area (Only):	Length: 17" (432 mm) Width: 17" (432 mm) Water depth: 7-5/8" (194 mm)
Number of deck holes:	1
Drain hole:	2-5/8" (67 mm)

## Notes

Install this product according to the installation instructions.